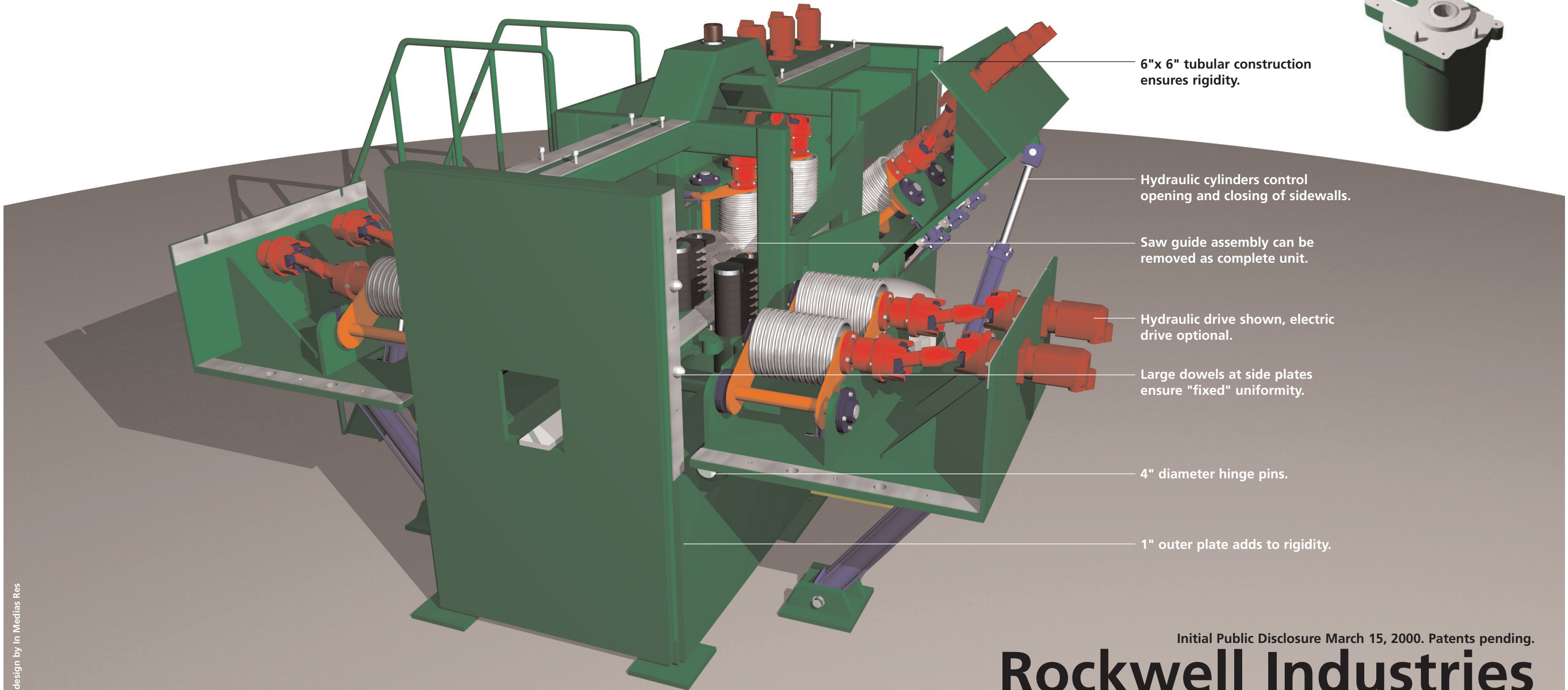
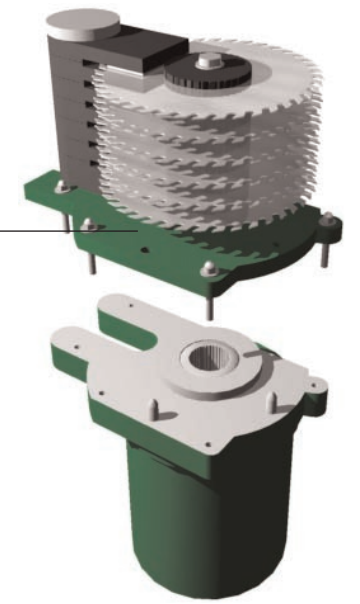


“Think outside the box”



Saw guide assembly can be removed as complete unit. See detail of spline in spline.



6"x 6" tubular construction ensures rigidity.

Hydraulic cylinders control opening and closing of sidewalls.

Saw guide assembly can be removed as complete unit.

Hydraulic drive shown, electric drive optional.

Large dowels at side plates ensure "fixed" uniformity.

4" diameter hinge pins.

1" outer plate adds to rigidity.

Initial Public Disclosure March 15, 2000. Patents pending.

Rockwell Industries Vertical Double Arbor Edger